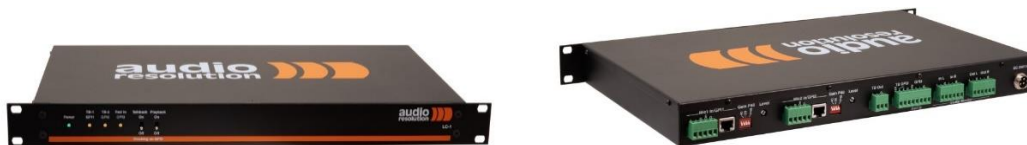


Studio monitor control unit with talkback and GPIO logic



FEATURES

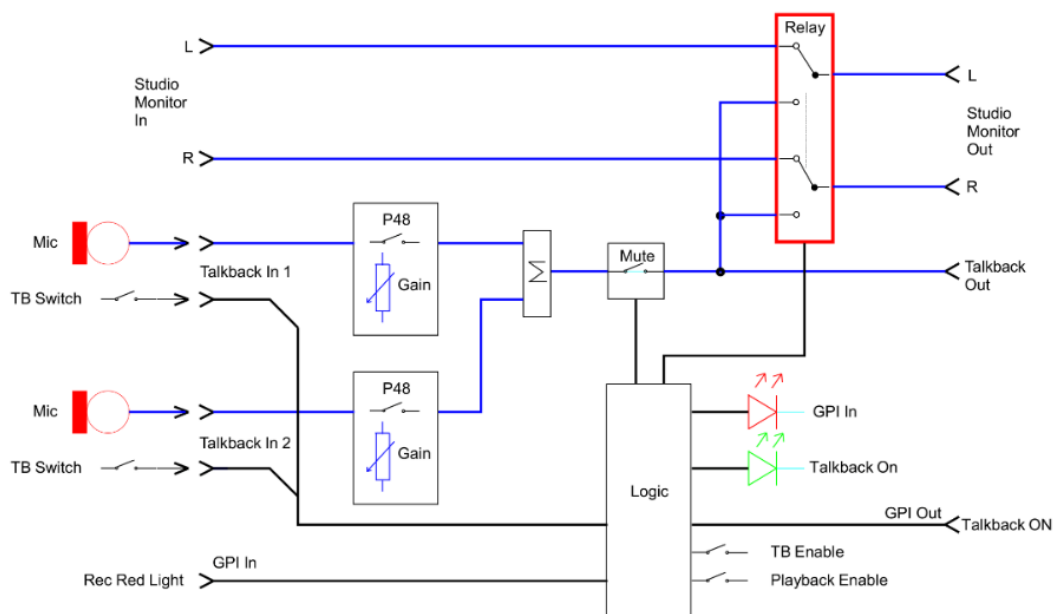
- 2 talkback mic/line inputs
- Adjustable gain and phantom power for talkback inputs
- Separate talkback audio output
- Isolated Red Light GPI input
- Talkback GPI outputs
- Separate enable switches for talkback and playback blocking on RED light
- GPIO indication LEDs
- Simple CAT5e cabling for talkback microphone remote control panels

ADVANTAGES

Studio monitor control unit with two talkback inputs and GPIO logic.

It features studio monitors playback and talkback blocking on Recording or On Air Red Light, Red Light GPI input, talkback GPI output, gain and phantom power select for talkback inputs.

BLOCK DIAGRAM



SPECIFICATION

AudioResolution LC-1

Input section

Number of inputs: 2x Talkback mono
1x Monitor stereo input

Talkback input

Input connector: 5-pin Phoenix
RJ45

Input level: MIC

Gain settings: +40dB, +20dB

Phantom power: Yes, switchable

Controls: Gain switch, Phantom, level

Talkback Out

Output noise level: -85 dBu / 40dB Gain, Level at middle position
-90 dBu / 20dB Gain, Level at middle position

Max. output level: +27 dBu / THD+N < 0,1%

Studio monitor In/ Out

Input connector: 2x 3-pin Phoenix

Output connector: 2x 3-pin Phoenix

Input/ Output level: MIC/ LINE

IN/ OUT switching: Relay

GPIO section

GP outputs: Talkback active

GP inputs: Talkback Mic 1

Talkback Mic 2

Red Light

Front panel

Signalization: Power, Talkback Mic 1, Talkback Mic 2, Red Light

Controls: Talkback Enable

Playback enable

Power

Power supply: 24V DC /1A

Dimensions and weight

Dimensions HxWxL: 44x480x265 mm

Weight: 3,4 kg